

Raypak®

A Rheem® Company

HI DELTA™
WITH CHX

Condensing High-efficiency System for Pool, DHW and Heating

The Raypak Hi Delta with CHX achieves an unequaled 98% thermal efficiency at full fire. It combines the reliability of the Hi Delta heater with an optional CHX heat exchanger which prevents condensation in the heater's primary combustion chamber. The result – an ultra high efficiency heater that lasts.



Top-mounted CHX shown


LONMARK® 3.3
LonWorks®
compatible with
Raypak Y-200
heater control

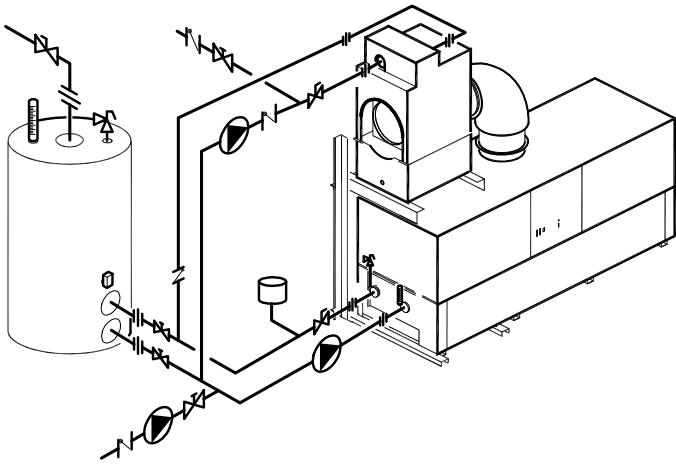


- 98% thermal efficiency at full fire
- Top or rear CHX mounting options: low profile or small footprint, your choice!
- 399,000 - 1,999,000 BTUH in single-heater configurations; up to 4,000,000 BTUH using racked heater / CHX systems
- Improved load-tracking with up to eight firing stages
- Self-contained secondary heat exchanger can be inspected and maintained without disturbing the vent or plumbing connections
- Exceeds all NOx emission standards
- Straight tube heat exchanger outlasts other designs and facilitates scale-free operation – ideal for DHW applications
- Fully-engineered rack systems simplify jobsite installation and set-up
- Indoor / Outdoor installation
- Fully certified vent systems available
- Full range of control options offering Building Management System compatibility and single-source accountability
- Front-access heater controls, burner and heat exchanger

HI DELTA™ with CHX
Models **402** through **2002**

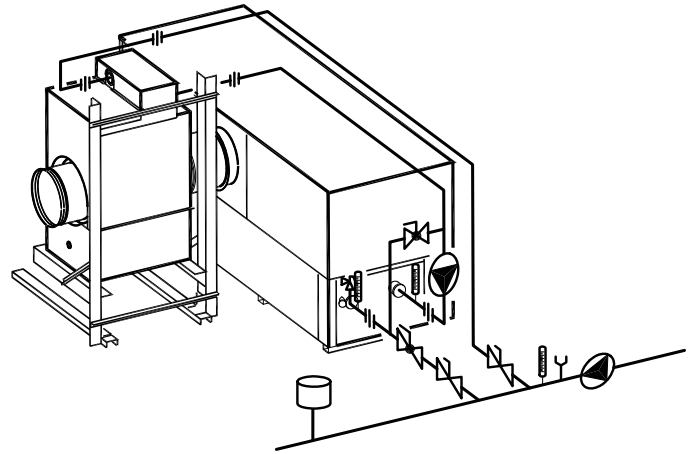
FROM THE HOT WATER MANAGEMENT EXPERTS™

Top-mounted CHX



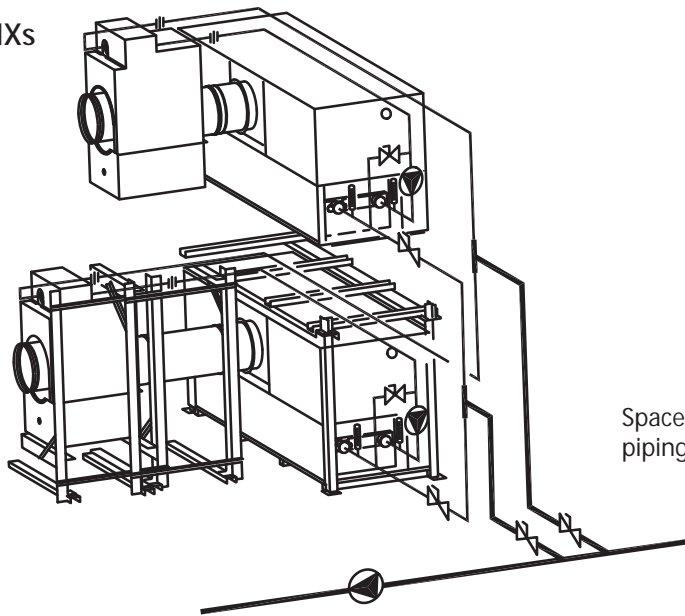
DHW (dual pump) piping shown

Rear-mounted CHX



Pool Heating or Low-temperature System
(primary/secondary) piping shown

Stacked Boilers and CHXs



Space Heating (primary/secondary)
piping shown

Vent System Flexibility

Typical Applications	Maximum Inlet Water Temperature	Vent Fan/Extractor			
		Fixed Speed Roof-mounted Bar. Damper	Fixed Speed Inline Bar. Damper	Fixed Speed Wall- or Ceiling-mtd. Bar. Damper	Variable Speed Roof/Sidewall No Bar. Damper
Heat Pump, Pool	Up to 100 ° F	Cat I PVC or "B" Vent	Cat IV PVC	Cat I PVC or "B" Vent	Cat IV PVC
DHW, Snow Melt, Radiant Floor	Up to 120 ° F	Cat I CPVC or "B" Vent	Cat IV CPVC	Cat I CPVC or "B" Vent	Cat IV CPVC
DHW, Radiant Floor	120° F to 140 ° F	Cat IV CPVC	Not Recommended	Not Recommended	Cat IV CPVC
Hydronic, Process Water	Above 140 ° F Steady State	Cat I "B" Vent	Cat IV AL29-4C	Cat I "B" Vent	Cat IV AL29-4C



RAYPAK CANADA LIMITED
2805 Slough St., Mississauga
Ontario, Canada L4T 1G2
905-677-7999 • Fax 905-677-8036

RAYPAK CORPORATE OFFICE AND PRINCIPAL MANUFACTURING FACILITY

2151 Eastman Avenue • Oxnard, CA 93030
805-278-5300 • Fax 800-872-9725

www.raypak.com

